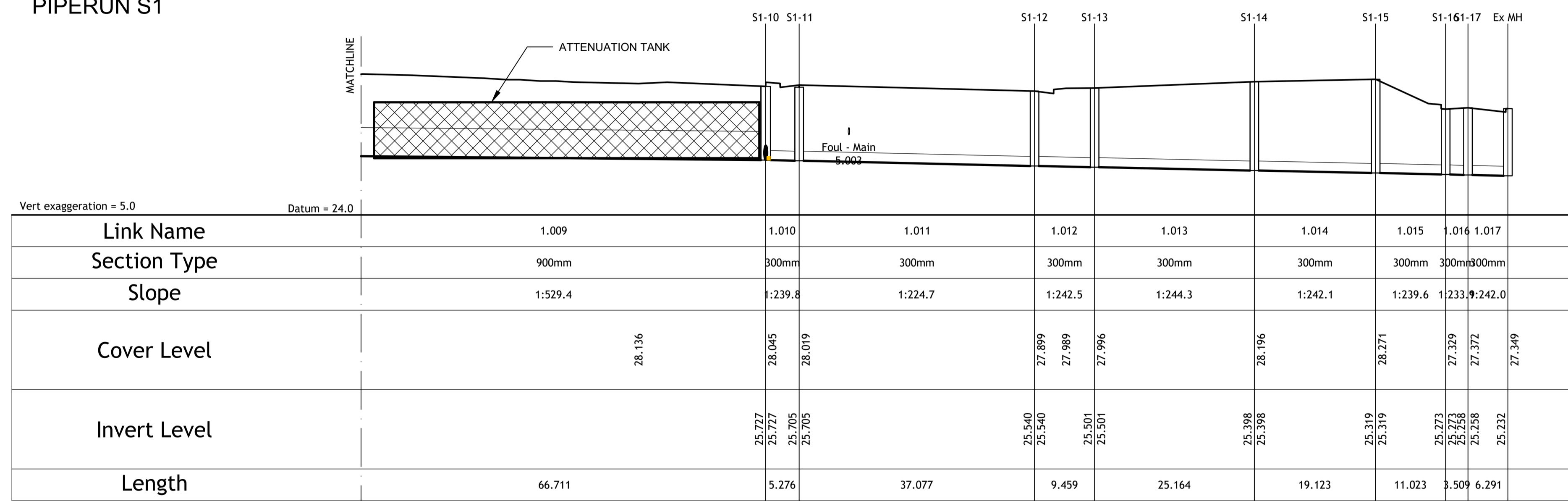
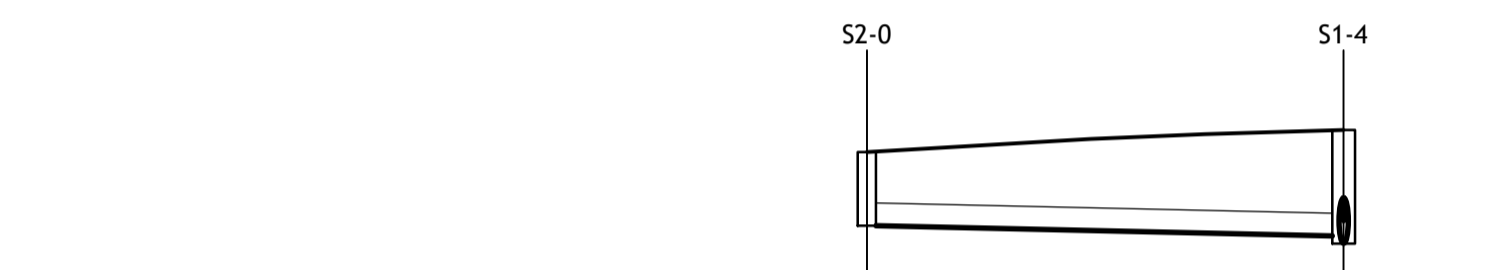


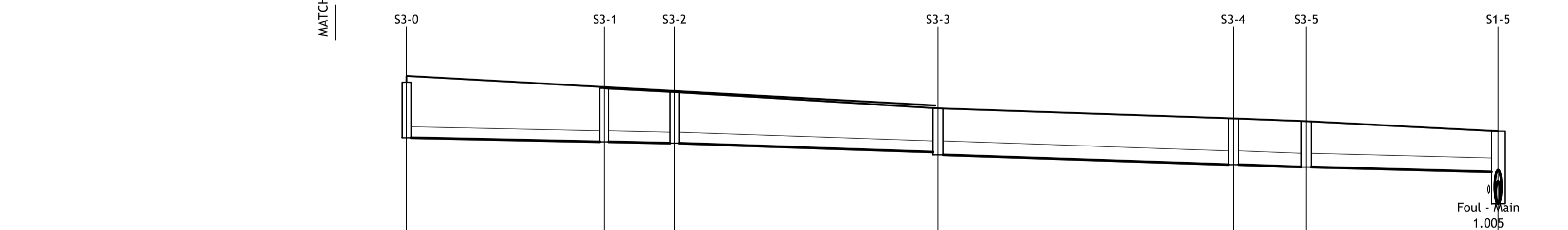
PIPERUN S1



PIPERUN S1 CONTINUED



PIPERUN S2



PIPERUN S3



PIPERUN S4

Rev	Amendment	By	Date	Rev	Amendment	By	Date
C01	Stage 2 SHD Issue	DAP	27-07-2021				
C02	Planning Issue	IBS	08-10-2021				
C03	Stage 3 SHD Issue	RD	29-03-2022				

Client: DSPL Limited



Project: STEEPLES ROAD, DULEEK - RESIDENTIAL DEVELOPMENT			
Title: STORM DRAINAGE SECTIONS - SHEET 1 OF 2			
Drawn: s Buckley	Date drawn: NOV 2018	Technician Check: s Buckley	Engineer Check: Approved:
Project No: 172439	Model Ref: 172439-PUNCH-XX-XX-M2-C-0200	Document Ref: 172439-PUNCH-XX-XX-DR-C-0200	Drawing Status: AO
Scale of A1: 1:500	Scale of A2: 1:100	Revision No: C03	